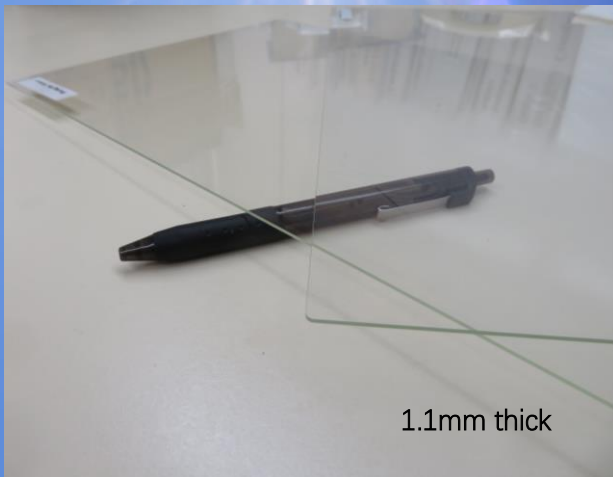


Insync Alumino Silicate Glass

Thin, Tough, Resistant to
Scratch, Ideal for Laptop and
Monitor, Survive in Harsh
Environmental Conditions



For quotations, email to
jlee@insyncperipherals.com
or call 1-562-383-3157

March 2022

See Data Sheet Next Page

Insync Peripherals Corp.
22951 La Cadena Dr.,
Laguna Hills, CA 92653 USA

Info@insyncperipherals.com
www.insyncperipherals.com
949-588-2675 X201

Technical Data and Applications

Applications

Optical Bonding

- Insync provides optical bonding services for display sizes ranging from 1.5in to 98in. We provide majority of LCDs, touchscreens, AR and AG chemically strengthened cover glasses, including AR or AG coated Alumino Silicate glass.
- For Alumino Silicate glass, refer to Insync specification P/N: 04D-0000-424 Series for further detail.

Technical Data

Dimensions

- Standard: 396.2mm X 228.8mm
- Standard thickness: 1.1mm
- Other thickness and sizes upon request.

Mechanical Strength

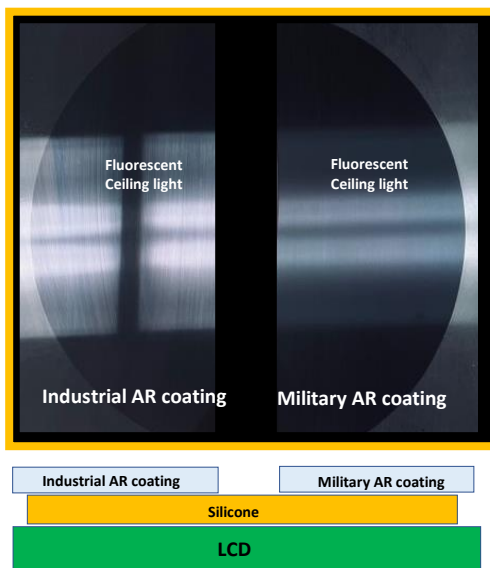
- Passed drop test with 50mm steel ball at 1m height (see Figure 1)

Optical

- Refractive Index: 1.51
- Single sided anti-reflective coating, industrial grade and military grade are available (see Figure 2).

Industrial grade: Typical less than 3% over the entire visible spectrum from 400nm to 700nm.

Military grade: Typical less than 1% over the entire visible spectrum from 400nm to 700nm.



Visual comparison for reflectivity between an industrial grade and a military grade anti-reflective coating in an 1.1mm thick alumino silicate glass under a fluorescent ceiling light.

Figure 2 Visual comparison AR coating reflectivity

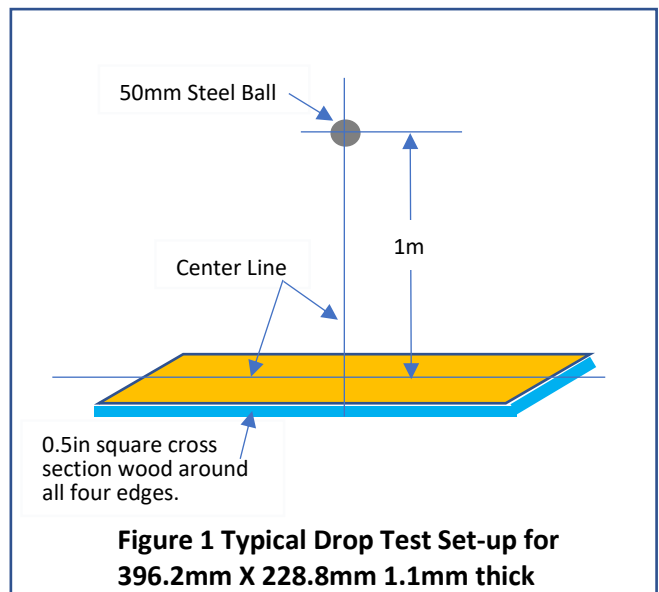


Figure 1 Typical Drop Test Set-up for 396.2mm X 228.8mm 1.1mm thick